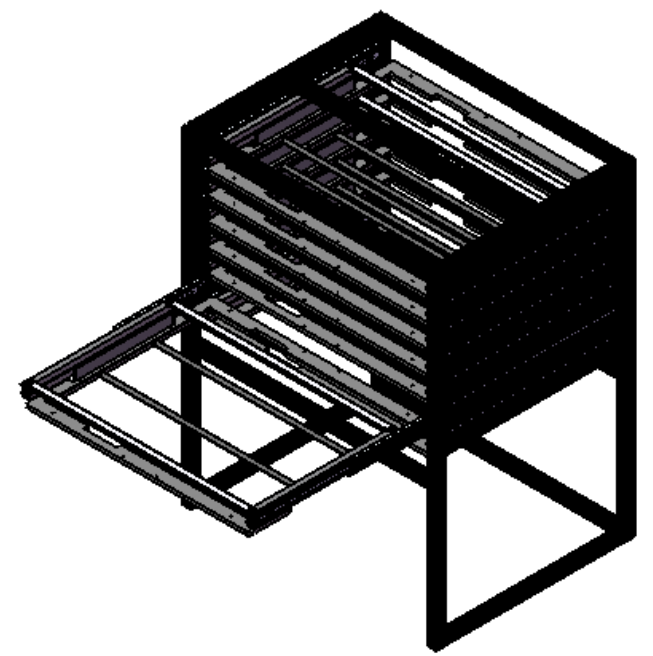
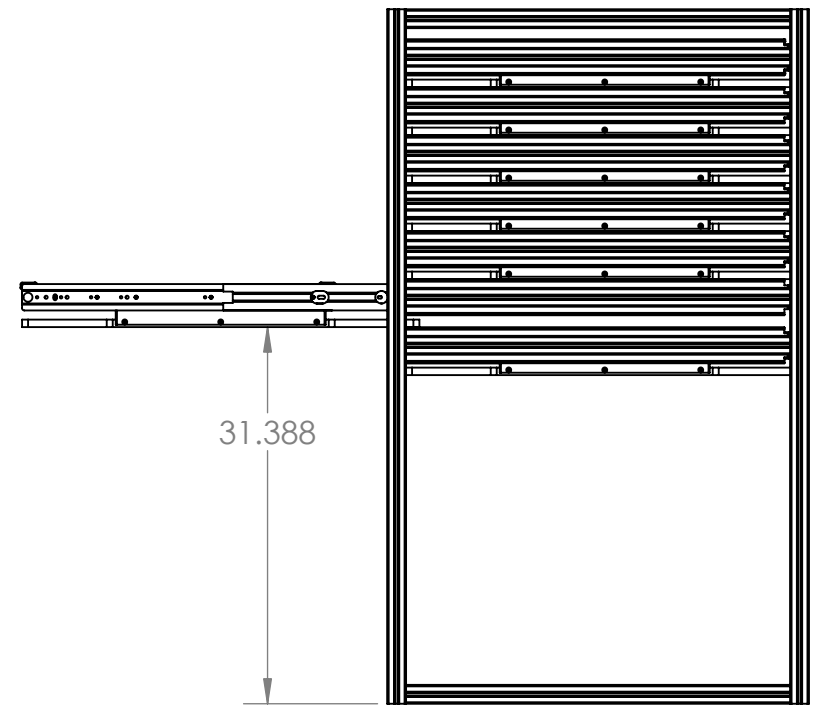
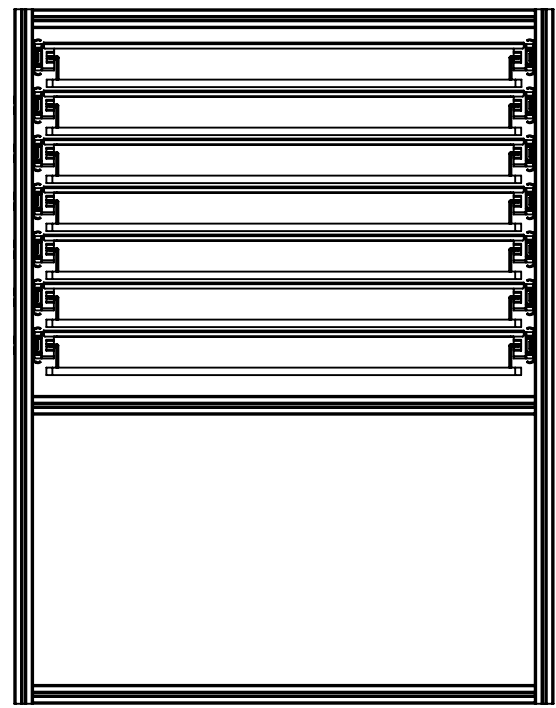


8 7 6 5 4 3 2 1

D

D



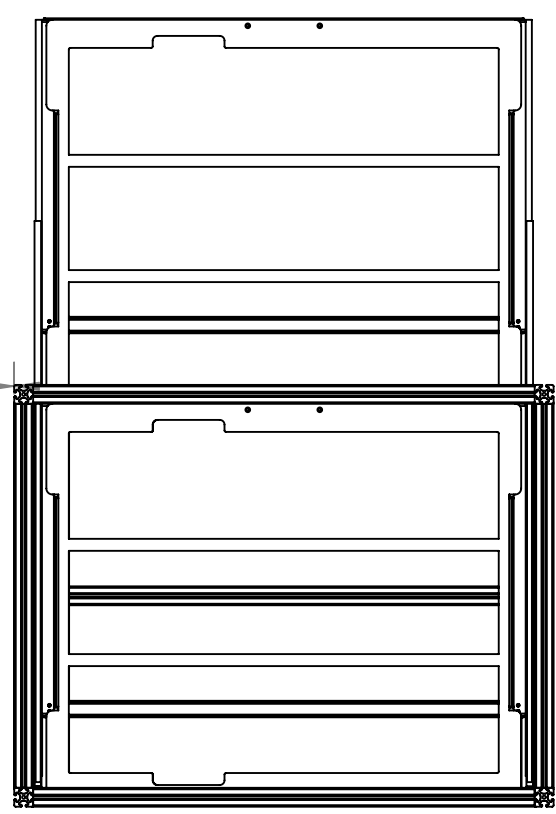
C

C

B

B

.0235



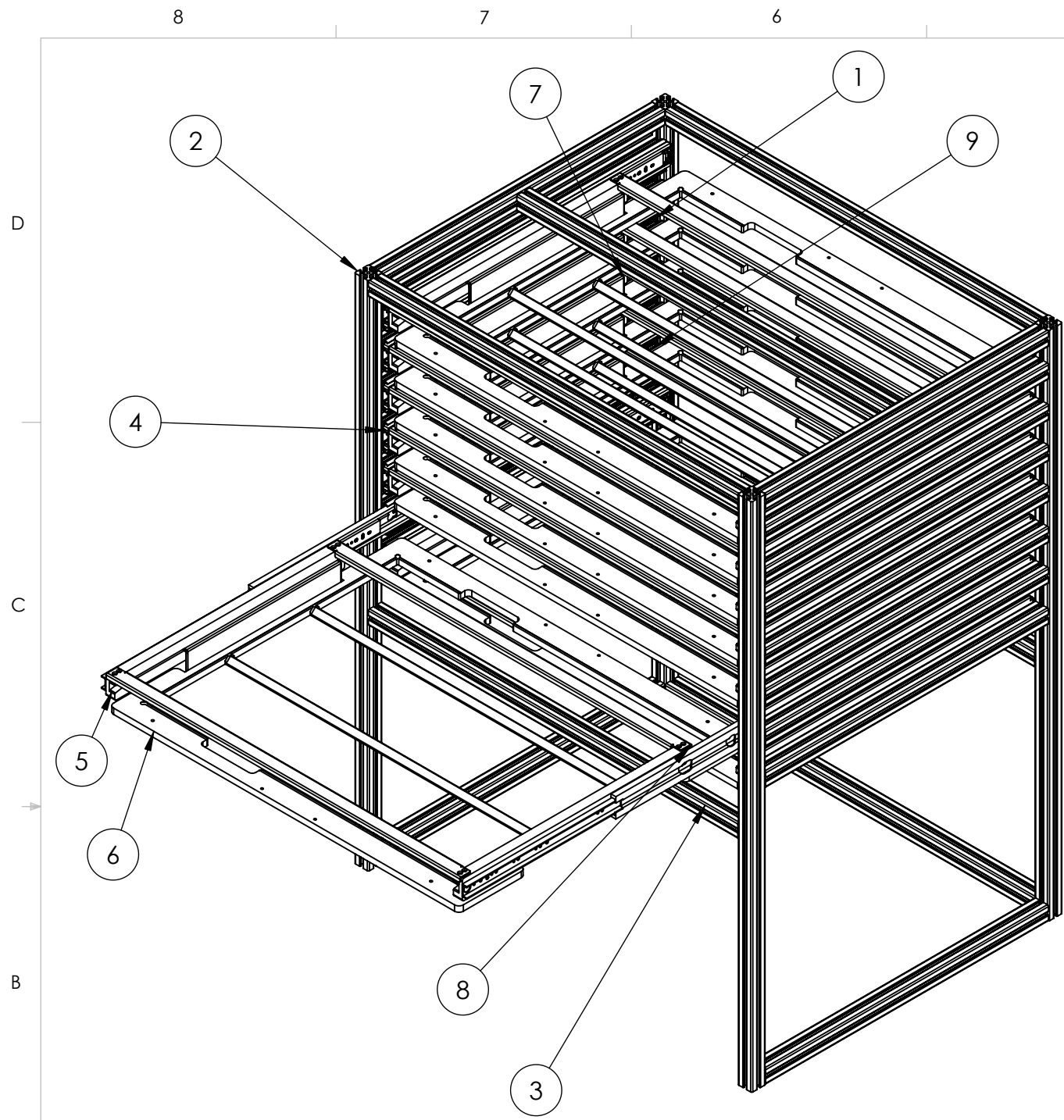
A

A

8 7 6 5 4 3 2 1

**PROPRIETARY AND CONFIDENTIAL**  
 THE INFORMATION CONTAINED IN THIS DRAWING IS THE SOLE PROPERTY OF INTEGRATED CIRCUIT SUPPORT. ANY REPRODUCTION IN PART OR AS A WHOLE WITHOUT THE WRITTEN PERMISSION OF INTEGRATED CIRCUIT SUPPORT IS PROHIBITED.

		UNLESS OTHERWISE SPECIFIED:		NAME	DATE	INTEGRATED CIRCUIT SUPPORT	
		DIMENSIONS ARE IN INCHES		DRAWN	BW	TITLE:	
		TOLERANCES:		CHECKED		SHDAOW MASK RACK	
		FRACTIONAL ±		ENG APPR.		SIZE	
		ANGULAR: MACH ± BEND ±		MFG APPR.		DWG. NO.	
		TWO PLACE DECIMAL ±.05		Q.A.		REV	
		THREE PLACE DECIMAL ±.005		COMMENTS:		SCALE: 1:16 WEIGHT:	
		INTERPRET GEOMETRIC TOLERANCING PER:				SHEET 1 OF 2	
		MATERIAL					
		FINISH					
NEXT ASSY	USED ON	DO NOT SCALE DRAWING					
APPLICATION							



ITEM NO.	PART NUMBER	DESCRIPTION	QTY.
1	ICS 40X40X32 INCH HORIZONTAL		18
2	ICS 40X40X57.874 VERTICAL		4
3	ICS 40X40X41.797 HORIZONTAL		6
4	DZ9301-0032 Closed Internet Version (a)		12
5	DELRIN BLOCK 25 INCH UNIVERSAL		14
6	T005X841 ALUM FRAME MOD REV 3		7
7	17.5 L BRACKET		14
8	CROSS BAR		14
9	DZ9301-0032 Open Internet Version (a)		2

**PROPRIETARY AND CONFIDENTIAL**  
 THE INFORMATION CONTAINED IN THIS DRAWING IS THE SOLE PROPERTY OF <INSERT COMPANY NAME HERE>. ANY REPRODUCTION IN PART OR AS A WHOLE WITHOUT THE WRITTEN PERMISSION OF <INSERT COMPANY NAME HERE> IS PROHIBITED.

		UNLESS OTHERWISE SPECIFIED:	NAME	DATE	TITLE:
		DIMENSIONS ARE IN INCHES	DRAWN		
		TOLERANCES:	CHECKED		
		FRACTIONAL ±	ENG APPR.		
		ANGULAR: MACH ± BEND ±	MFG APPR.		
		TWO PLACE DECIMAL ±	Q.A.		
		THREE PLACE DECIMAL ±	COMMENTS:		
		INTERPRET GEOMETRIC TOLERANCING PER:			SIZE DWG. NO. REV
		MATERIAL			<b>B</b> RACK ASSY
NEXT ASSY	USED ON	FINISH			SCALE: 1:16 WEIGHT: SHEET 2 OF 2
APPLICATION		DO NOT SCALE DRAWING			