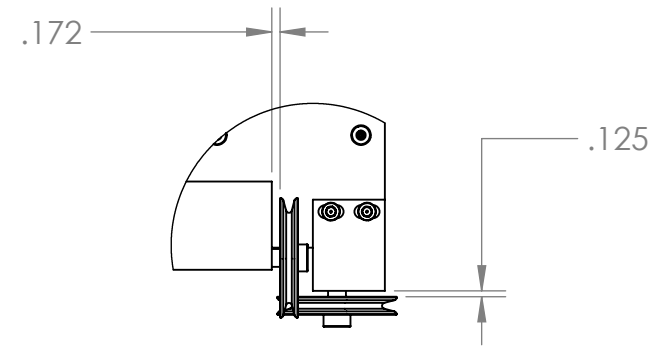
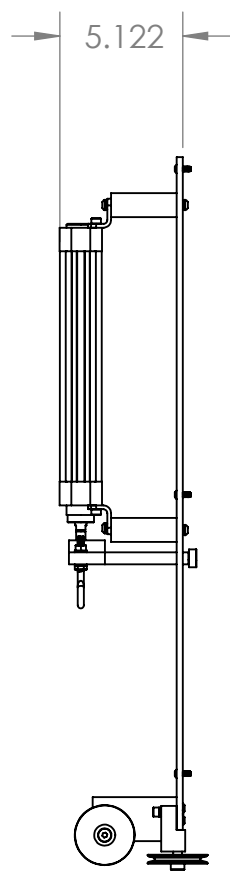
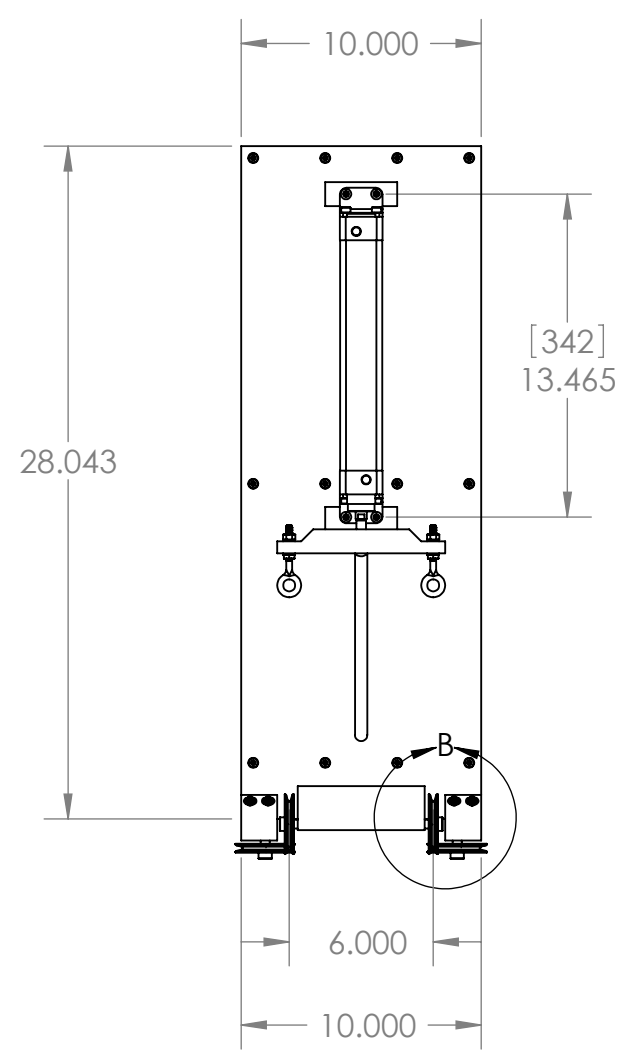
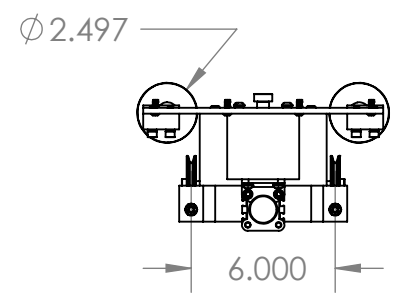


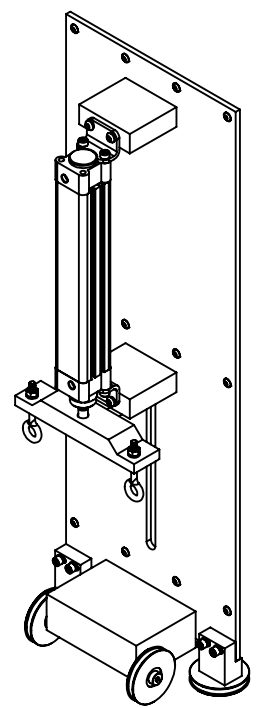
8 7 6 5 4 3 2 1

D
C
B
A

D
C
B
A



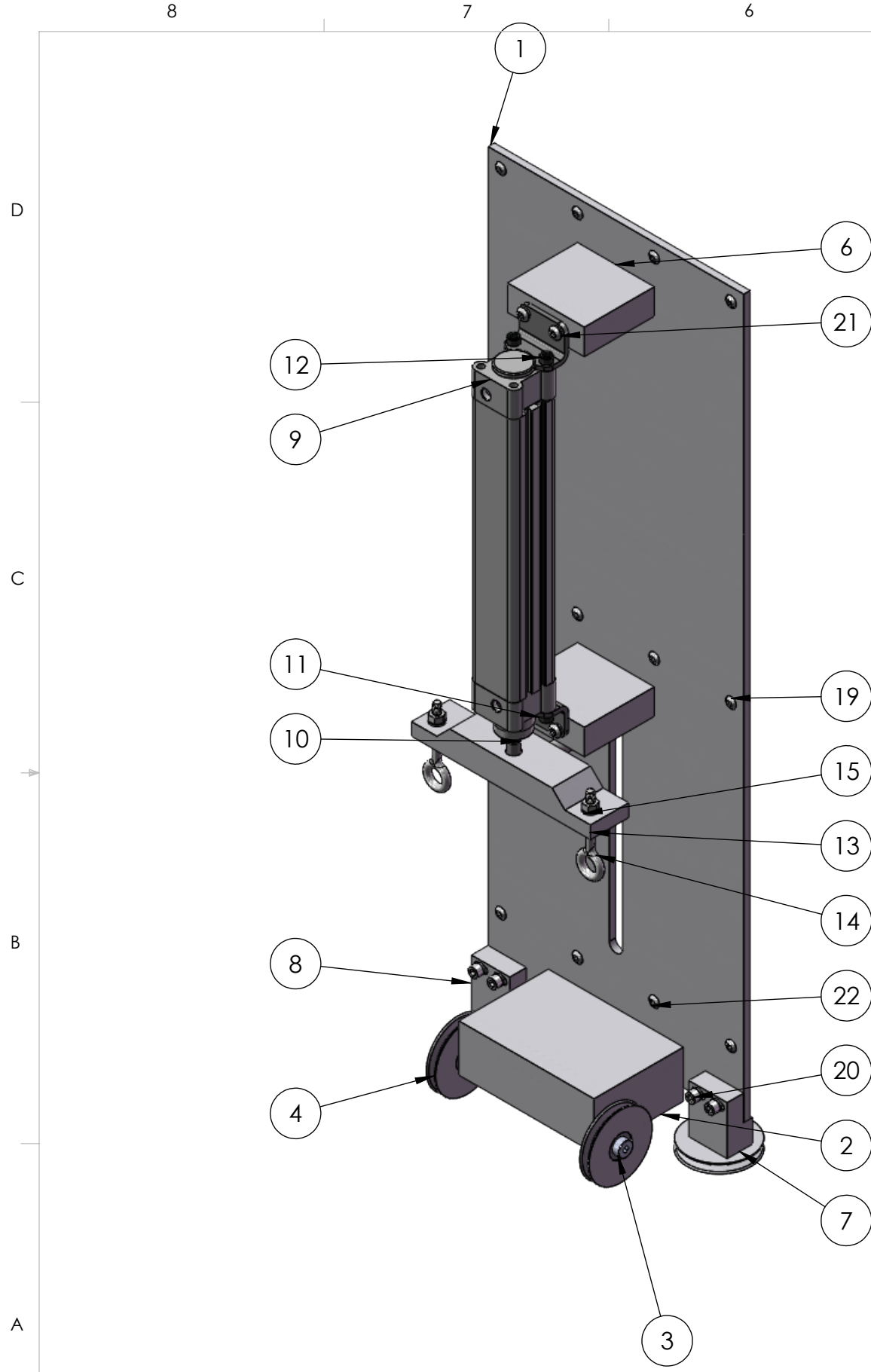
DETAIL B
SCALE 1 : 4



PROPRIETARY AND CONFIDENTIAL
THE INFORMATION CONTAINED IN THIS DRAWING IS THE SOLE PROPERTY OF INTEGRATED CIRCUIT SUPPORT. ANY REPRODUCTION IN PART OR AS A WHOLE WITHOUT THE WRITTEN PERMISSION OF INTEGRATED CIRCUIT SUPPORT IS PROHIBITED.

		UNLESS OTHERWISE SPECIFIED:		NAME	DATE	INTEGRATED CIRCUIT SUPPORT	
		DIMENSIONS ARE IN INCHES		DRAWN	BW	TITLE:	
		TOLERANCES:		CHECKED		ACTUATOR AND PULLEY ASSY	
		FRACTIONAL \pm		ENG APPR.		SIZE	
		ANGULAR: MACH \pm BEND \pm		MFG APPR.		DWG. NO.	
		TWO PLACE DECIMAL $\pm .05$		Q.A.		REV	
		THREE PLACE DECIMAL $\pm .005$		COMMENTS:		SCALE: 1:8	
		INTERPRET GEOMETRIC TOLERANCING PER:				WEIGHT:	
		MATERIAL				SHEET 1 OF 2	
NEXT ASSY	USED ON	FINISH					
APPLICATION		DO NOT SCALE DRAWING					

8 7 6 5 4 3 2 1



ITEM NO.	PART NUMBER	DESCRIPTION	QTY.
1	Actuator support plate		1
2	Middle pulley bracket		1
3	90298A622 SHLDR SCREW 5 16TH - 18 THREAD		4
4	2 inch di pulley		4
5	BEARING, PULLEY		4
6	Cylinder stand off		2
7	Horizontal Pulley bracket right		1
8	Horizontal Pulley bracket left		1
9	DNC_32_200_ZR_		1
10	DNC_32_200_KS_		1
11	174369_HNC_32_F_		2
12	DIN_912_M6x18_F_		4
13	Actuator to eyebolt adapter		1
14	3032T31	1/4"-20X3" EYE BOLT 1" DIA	2
15	.500 x .070 washer sst		4
16	91847A029	1/4"-20 SST NUT	2
17	90298a726 8th - 16 shldr screw .5 shldr 3.5l		1
18	92949A540	1/4"-20X.75 BTN HEAD SCREW, SST	7
19	98437A110 QRTR LOCK WASHER	SPRING LOCK WASHER FOR 1/4"	27
20	92196A542	1/4"-20X1 SKT HEAD SCREW, SST	4
21	92949A539	1/4"-20X.625L SKT HD SCREW SST	4
22	92095A211	M5 X 14 BUTON HEAD SSCREW SST	12

PROPRIETARY AND CONFIDENTIAL
 THE INFORMATION CONTAINED IN THIS DRAWING IS THE SOLE PROPERTY OF <INSERT COMPANY NAME HERE>. ANY REPRODUCTION IN PART OR AS A WHOLE WITHOUT THE WRITTEN PERMISSION OF <INSERT COMPANY NAME HERE> IS PROHIBITED.

		UNLESS OTHERWISE SPECIFIED:	NAME	DATE	INTEGRATED CIRCUIT SUPPORT
		DIMENSIONS ARE IN INCHES TOLERANCES: FRACTIONAL ± ANGULAR: MACH ± BEND ± TWO PLACE DECIMAL ± THREE PLACE DECIMAL ±	DRAWN		
		INTERPRET GEOMETRIC TOLERANCING PER:	CHECKED		Actuator and pulley assy
		MATERIAL	ENG APPR.		
NEXT ASSY	USED ON	FINISH	MFG APPR.		SIZE DWG. NO. REV
APPLICATION		DO NOT SCALE DRAWING	Q.A.		SCALE: 1:8 WEIGHT: SHEET 2 OF 2
			COMMENTS:		